

Powering you to success



**ROTAFIT**

**POWER TRANSMISSION**

# OVERVIEW



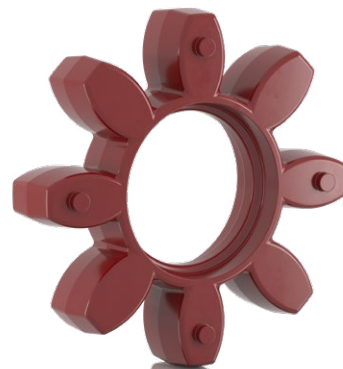
At MP Filtri we don't just make high-performance products – we pride ourselves on offering complete customer solutions from design to delivery.

All our power transmission products are designed using the very latest CAD and FEM technology, and then created to the highest international standards at our purpose-built in-house foundry and engineering works.

Our couplings are rugged and reliable and require no lubrication – saving you maintenance costs and ensuring performance is not compromised by downtime.

And our commitment to customers doesn't end there. We ensure you can always count on us for a smooth and speedy service thanks to our new intuitive online ordering system which helps you identify the product best suited for your pump and motor.

We keep an extensive stock of products and our growing distribution network ensures we can get our products to you by super-fast delivery services without delay.



# KEY FEATURES AND BENEFITS

## RELIABLE POWER TRANSMISSION

Our cutting-edge design technology and automated manufacturing deliver couplings with exceptional and consistent structural strength - with 100 per cent of the shaft covered for optimal performance.

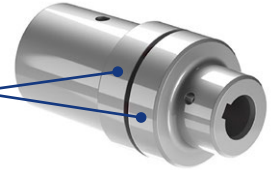
## EXCEPTIONAL BUILD QUALITY

Premium quality starts with premium materials – with full chemical composition sampling of the aluminium twice a day. We design and build our couplings in-house with complete control over every aspect of the manufacturing process.

## LOW VIBRATION AND LOW NOISE

By combining a strong external ring, a high-quality bell housing, and specially designed components, our couplings deliver a complete integrated system for low noise and low vibration.

### External ring

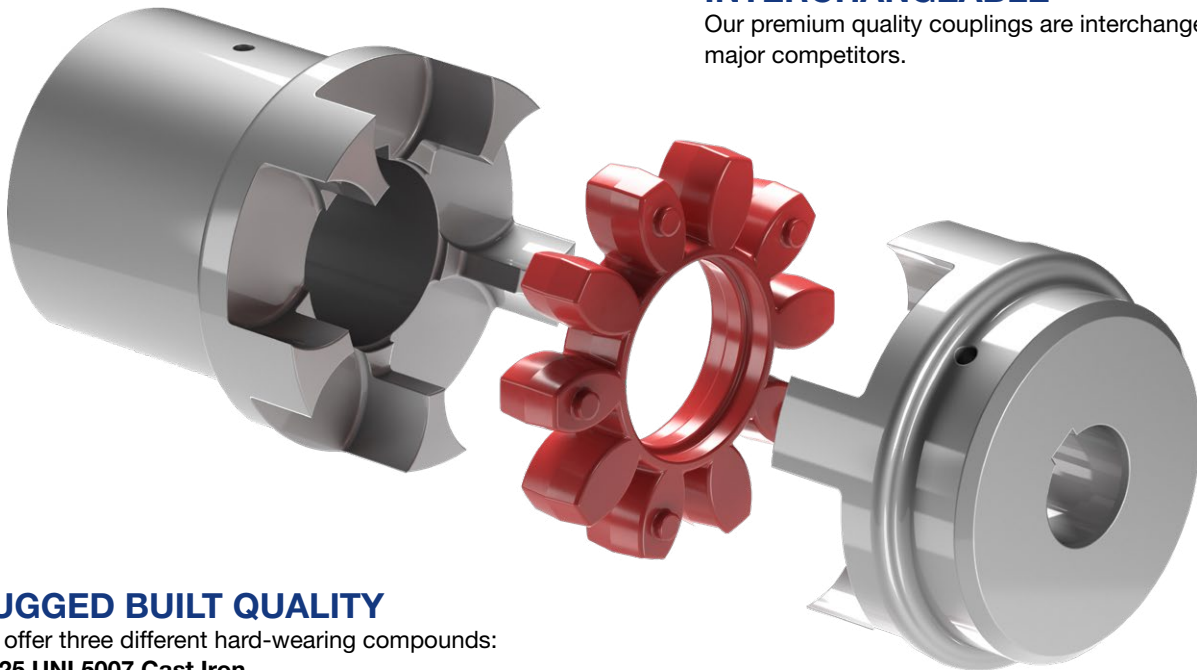


## COMPATIBILITY

Ideally suited for a huge variety of pumps, motors, and machines with power transmission characteristics.

## INTERCHANGEABLE

Our premium quality couplings are interchangeable with all major competitors.



## RUGGED BUILT QUALITY

We offer three different hard-wearing compounds:

- G25 UNI 5007 Cast Iron
- C40 High-Tensile Steel
- UNI 46100 Aluminium

while our spiders are created from hard-wearing temperature resistant NBR Polyurethane.

The design of the coupling ensures there is no metal-to-metal contact, while exceptional damping prevents shock loads.

## MEETING THE STANDARD

All our couplings achieve the DIN740 Part 2 quality performance benchmark, as well as such prestige international quality standards such as NEMA and ATEX.

## FLEXIBLE

Compensates for angular, axial and radial misalignments ensuring a consistent performance.

## SAFETY

ATEX certified for use in hazardous environments and explosive atmospheres.



# DESIGNED TO MEET YOUR NEEDS

# ROTAFIT

## CUSTOMER EXPERIENCE



**STOCK** Comprehensive stock available ready to meet the customers requirements.

**SIMPLICITY** Our easy-to-use software helps you find the right coupling for your needs, quickly and without fuss.

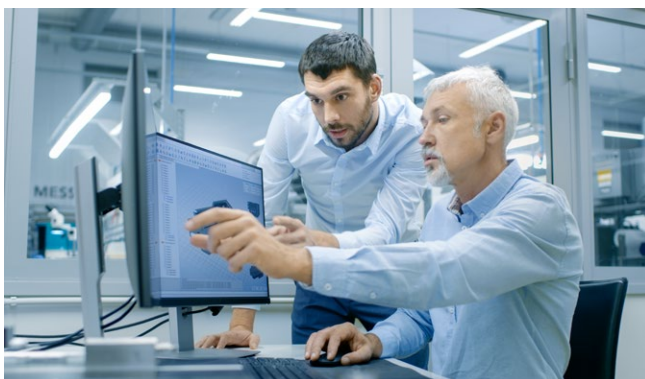
**SPECIALISTS** Because we design and build our own couplings in-house at our purpose-built foundry – we have complete control of the production cycle and the flexibility to make bespoke products when needed.

**SUPPLY** We offer an international distribution network with dealers, distributors and sales partners all over the world, so wherever you are we can offer fast and responsive support.

## WORLD-CLASS DESIGN, RESEARCH AND DEVELOPMENT

Our design engineers use the latest FEM and CAD software to perfect the development process and ensure full control over structural analysis.

This ensures a faster and more efficient design process and enables us to create and test innovative products quickly and effectively, monitor quality throughout extensive testing, and deliver both improvements and efficiency savings to customers.



## INTERCHANGEABILITY

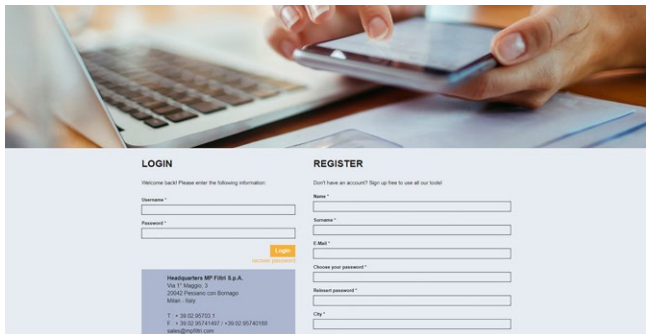
Why not try the MP Filtri solution? We deliver a market leading, fully interchangeable product range that's fully compatible with all major competitors. You can also count on technical support from our extensive international distribution network.

## EASY TO MASTER SOFTWARE

Our simple to use yet sophisticated software system takes you step-by-step through the selection process making it easy for you to find the ideal coupling for your needs.

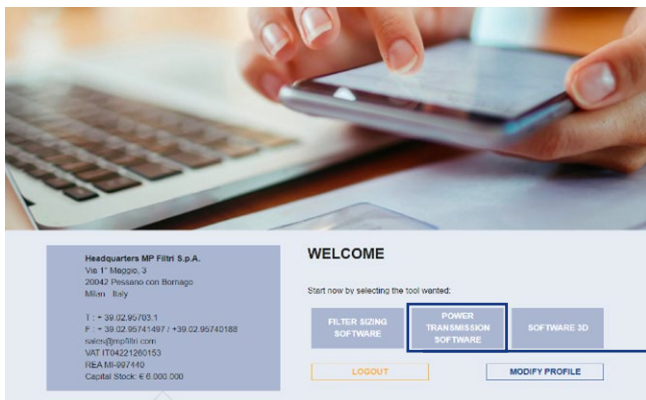
### STEP 1

Go to our software selection site portal at: <https://www.mpfiltri.com/registration.html>



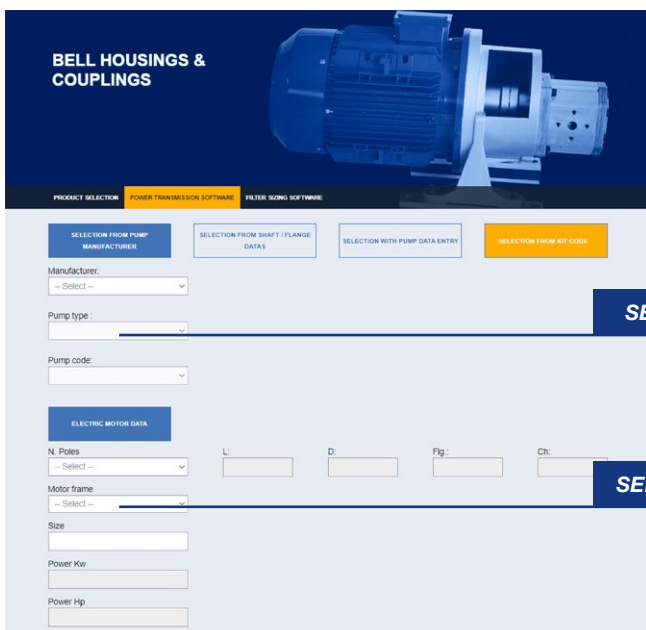
### STEP 2

Log in and select Power Transmission Software




### STEP 3

Select your pump and motor



### STEP 4

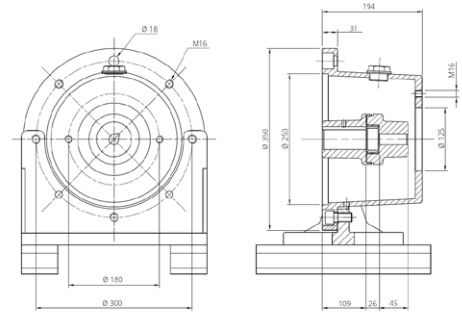
Confirm your Specification and receive the coupling datasheet complete with dimensional 2D drawing



**MP Filtri** PASSION TO PERFORM

MP Filtri S.p.A. - Via 1° Maggio, 3  
20060 Pessano con Bormago - Milano - Italy  
Ph: 02.95703.1 - Fax: 02.95741497-95740188  
sales@mpfiltri.com - www.mpfiltri.com

Pump		Pump data	
Manufacturer	BOSCH REXROTH	L1	60
Pump model	A10VSO71/31"-PA**	Thickness	10
		d1	32
		Ch1	10
		l2	0
		C	125
		In	180
		Nr	2
		F	M16
Electric Motor Data			
L	110		
D	42		
Ch	12		
Fig	350		



Optional with polyurethane spider red colour - 98 Shore A			
Pin Bell-Housing kit:	NOT AVAILABLE	Max torque (Nm):	1050
Pin kit coupling:	AKGMM0520234RR	Temperature °C:	-30 + 90
Pin Complete kit:	AKMM0520234RRDI		
Ordering code Bell-Housing	LMC350AFSU08ZDI	Hall coupling code	SGEA51M07189FG
		EGE 8RR	EGE 8RR
		SGEA51D04045FG	SGEA51D04045FG
		Ordering codes	Foot bracket: PDMA330
		Damping rods for foot bracket: MPORPDMA350	

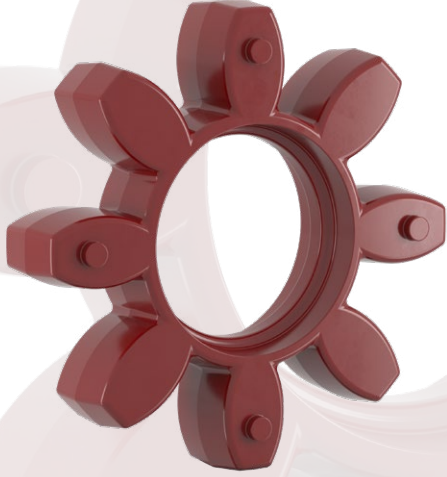
**SELECT**

**SELECT YOUR PUMP HERE**

**SELECT YOUR MOTOR HERE**

# APPLICATIONS

Created for a diverse range of working environments, MP Filtri's Power Transmission couplings help customers thrive in such key sectors as:



**INDUSTRIAL**



**INDUSTRIAL FLUID POWER**



**RENEWABLE ENERGY**

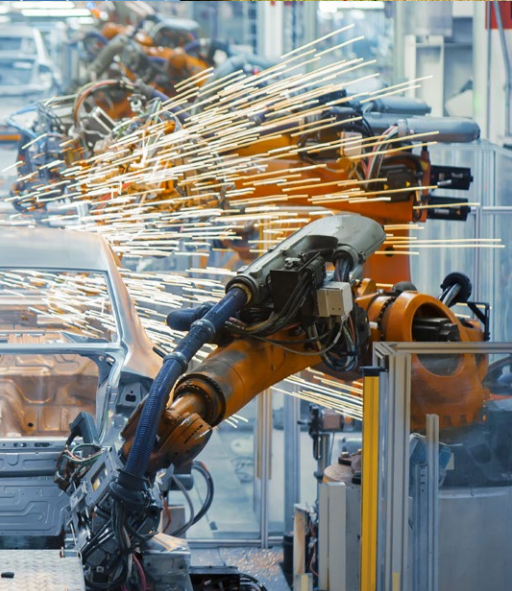


**CHEMICAL**



**AUTOMOTIVE**







## WORLDWIDE NETWORK



HEADQUARTERS

8 BRANCHES

OVER 300 DISTRIBUTORS

Germany  
France  
USA  
Russian Federation

China  
United Kingdom  
India  
Canada



**PASSION TO PERFORM**