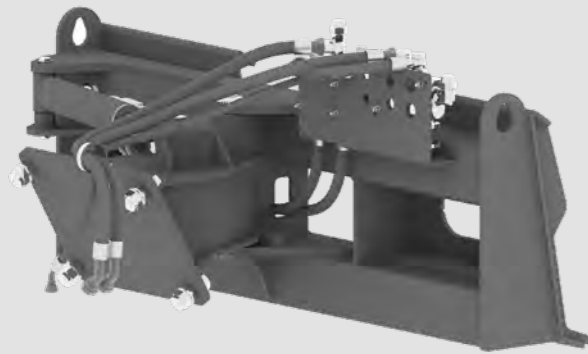


## TORNADO FRONT-MOUNTED ATTACHMENT

### FRONT-MOUNTED ATTACHMENT

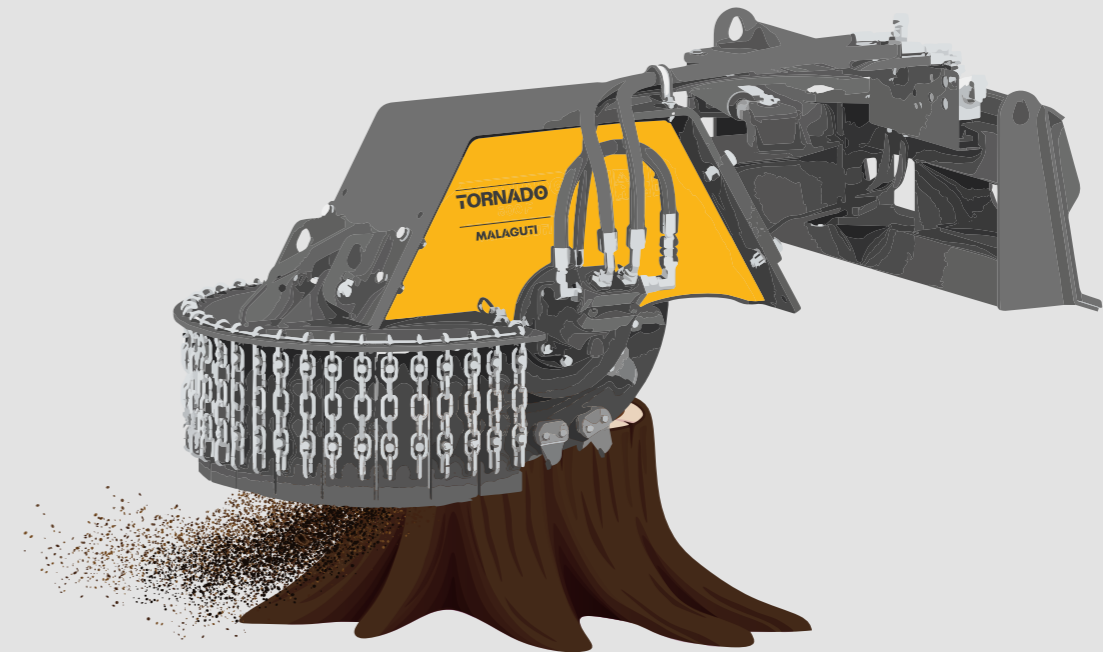


# TORNADO

## 350 F

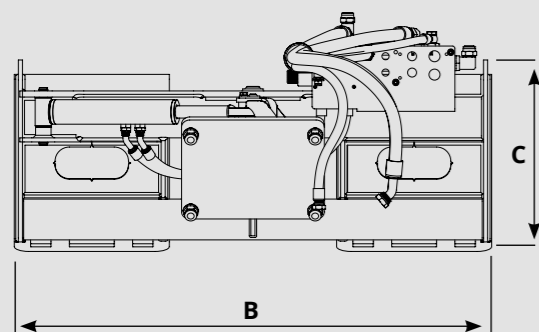
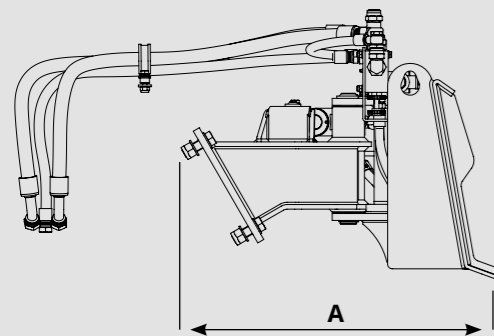


da 1.5 Ton a 4.0 Ton



### FRONT-MOUNTED ATTACHMENT

- Through the use of the Tornado front-mounted attachment, it is possible to use the stump grinder on work machines such as Skid Loader, mini-Skid Loader, Loader and Backhoe



Model	A mm	B mm	C mm	Kg	€
TORNADO F.M. ATTACH.	436	1170	469	150	

Model	TORNADO 350 F	TORNADO 350 F
A (mm)	1366	1366
B (Ømm)	625	625
C (mm)	156	156
D (mm)	710	710
E (mm)	1170	1170
Motor (CC)	12	18
Hydraulic fluid flow rate (L/Min)	16	24
Weight without coupling Kg	133	133
Weight with coupling Kg	283	283
Teeth Number	16	16
Pressure Bar	200-250	200-250
Counterpressure Bar	15	15
Price		

