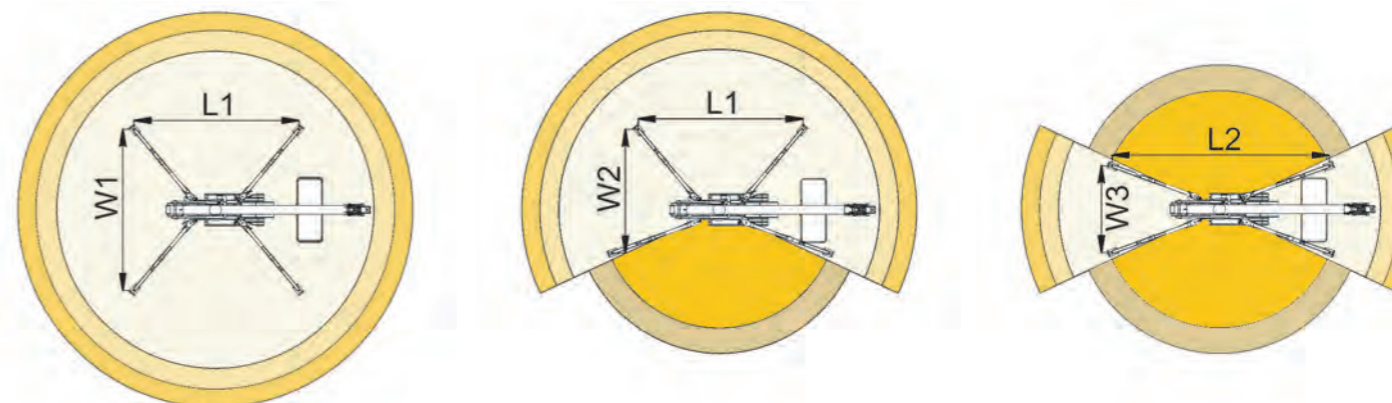
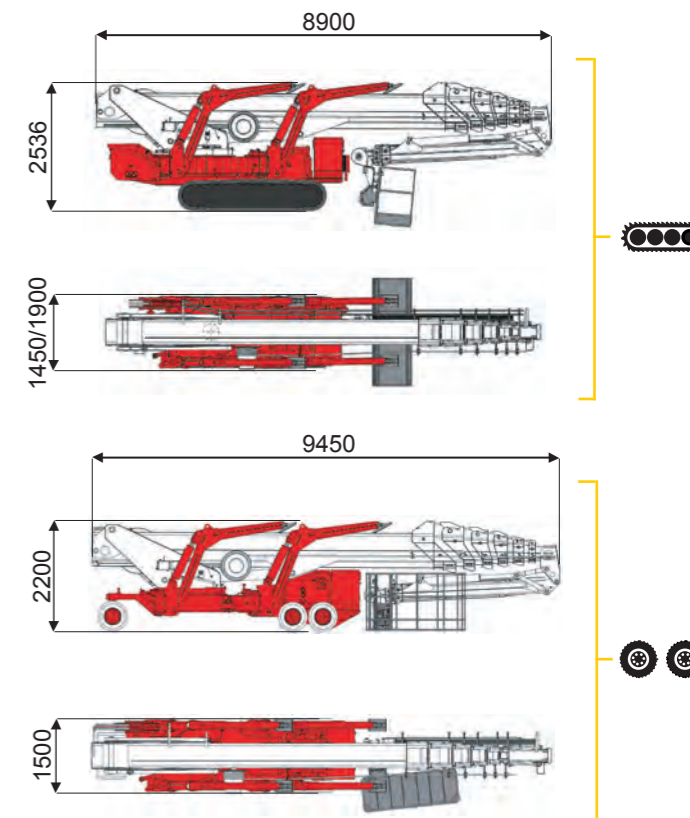
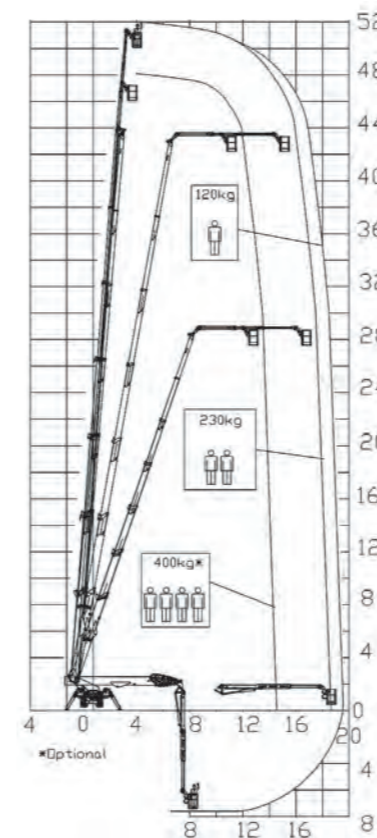




52 m ↑
19,5 m →
400 Kg* 👤👤👤



| | | | | | | | | | |
|---------|--------|--------|---------|------------|---------|---------|---------|---------|---------|
| 16,5 m | 18,5 m | 19,5 m | 14,5 m | 16,5 m | L1 | L2 | W1 | W2 | W3 |
| 400 kg* | 230 kg | 120 kg | 400 kg* | 120/230 kg | 6460 mm | 7190 mm | 5170 mm | 4655 mm | 4130 mm |

BI-ENERGY
Diesel+AC



| | | | | | | | | | | | | | | | | |
|------------------|-----|------|--------|---------|------|------|-----------|---------|-------------|-----|-----|----------|----------|-------|------------------------|------------------------|
| XTJ 52+/C | 🔋 | 52 m | 19,5 m | 400 kg* | 170° | 660° | 240x70 cm | 90°+80° | 4,13-5,17 m | 16% | 42% | 2 km/h | 14980 kg | 95 kN | 4,46 kN/m ² | 6,97 kN/m ² |
| XTJ 52+/R | ⊙ ⊙ | 52 m | 19,5 m | 400 kg* | 170° | 660° | 240x70 cm | 90°+80° | 4,13-5,17 m | 16% | 21% | 1,2 km/h | 13000 kg | 95 kN | 3,89 kN/m ² | 5,73 kN/m ² |

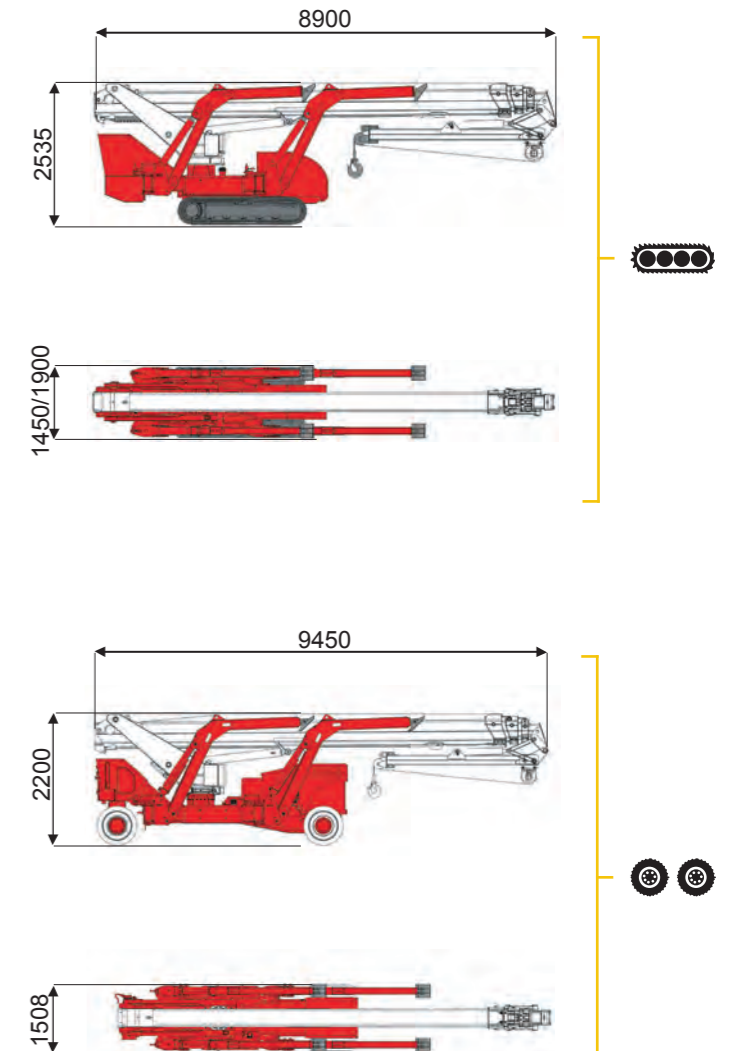
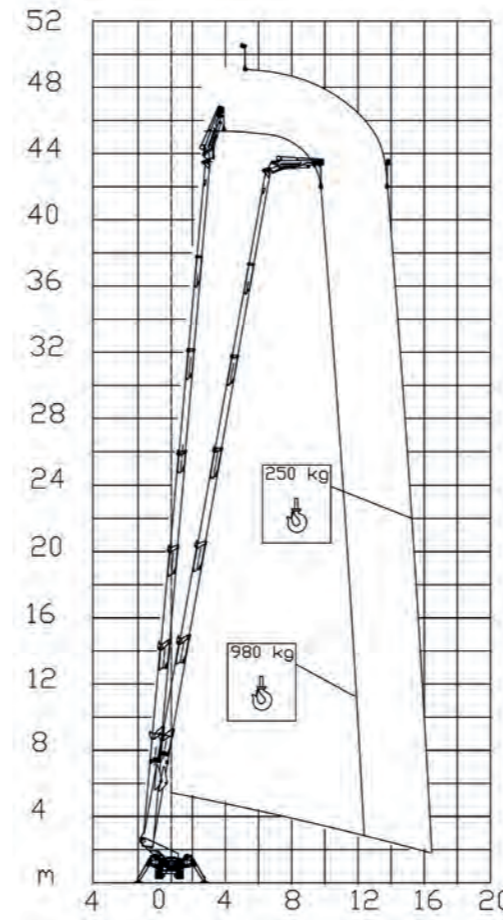
Available version:

- BI-ENERGY (DIESEL+AC)
- ECO (DC+AC)
- HYBRID (DIESEL+DC)

Characteristics and technical data are informative only and subjected to change without notice.



51 m ↑
16,5 m →
980 Kg ⚙



BI-ENERGY
Diesel+AC



| | | | | | | | | | | | | |
|------------------|------|--------|--------|------|-------------|-----|-----|----------|----------|-------|------------------------|------------------------|
| XTJ 52+/C | 51 m | 16,5 m | 980 kg | 660° | 4,13-5,17 m | 16% | 42% | 2 km/h | 14980 kg | 95 kN | 4,49 kN/m ² | 7,01 kN/m ² |
| XTJ 52+/R | 51 m | 16,5 m | 980 kg | 660° | 4,13-5,17 m | 16% | 16% | 1,2 km/h | 13000 kg | 95 kN | 3,89 kN/m ² | 5,73 kN/m ² |

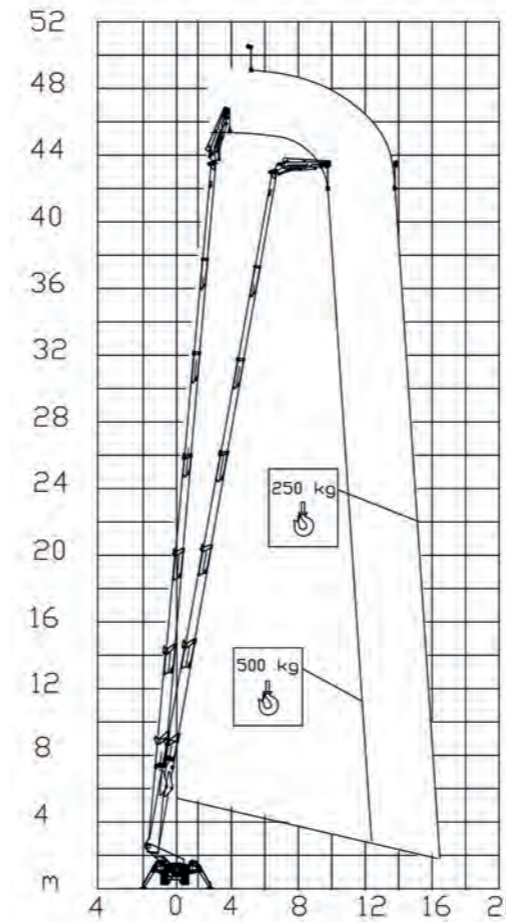
Available version:

- BI-ENERGY (DIESEL+AC)
- ECO (DC+AC)
- HYBRID (DIESEL+DC)

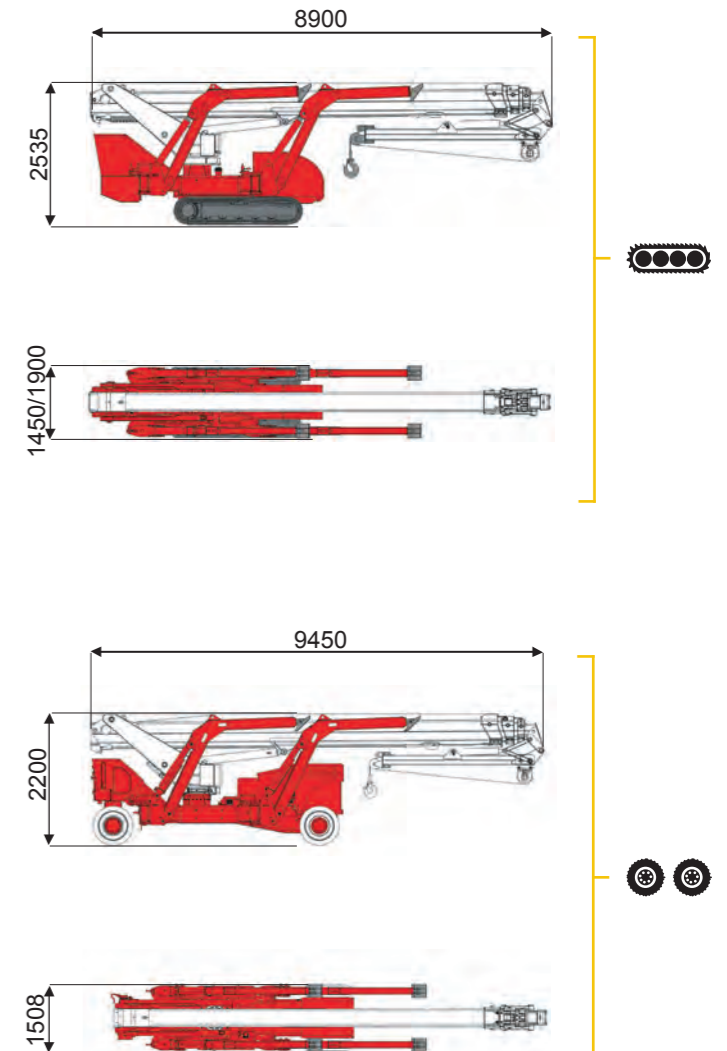
Characteristics and technical data are informative only and subjected to change without notice.



51 m ↑
16,5 m →
500 Kg ⚙️



| | |
|--------|--------|
| 12,5 m | 16,5 m |
| 500 kg | 250 kg |



BI-ENERGY
Diesel+AC



| | | | | | | | | | | | | | |
|------------------|--|------|--------|--------|------|-------------|-----|-----|----------|----------|-------|------------------------|------------------------|
| XTJ 52+/C | | 51 m | 16,5 m | 500 kg | 660° | 4,13-5,17 m | 16% | 42% | 2 km/h | 14980 kg | 95 kN | 4,49 kN/m ² | 7,01 kN/m ² |
| XTJ 52+/R | | 51 m | 16,5 m | 500 kg | 660° | 4,13-5,17 m | 16% | 16% | 1,2 km/h | 13000 kg | 95 kN | 3,89 kN/m ² | 5,73 kN/m ² |

Available version:

- BI-ENERGY (DIESEL+AC)
- ECO (DC+AC)
- HYBRID (DIESEL+DC)

Characteristics and technical data are informative only and subjected to change without notice.