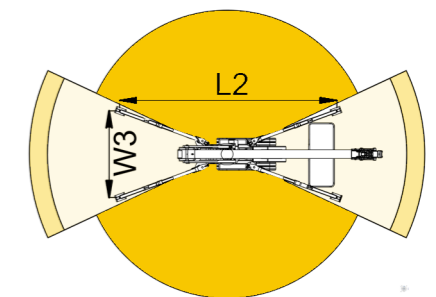
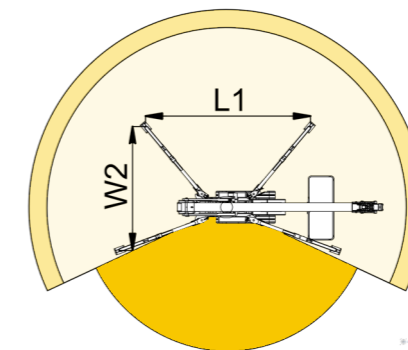
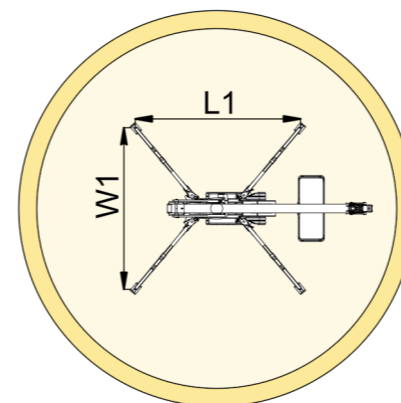
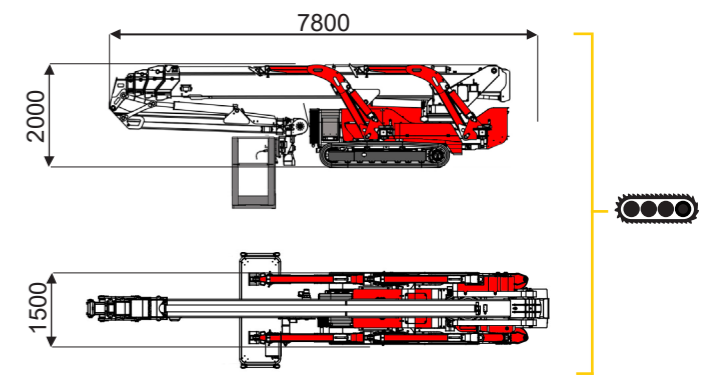
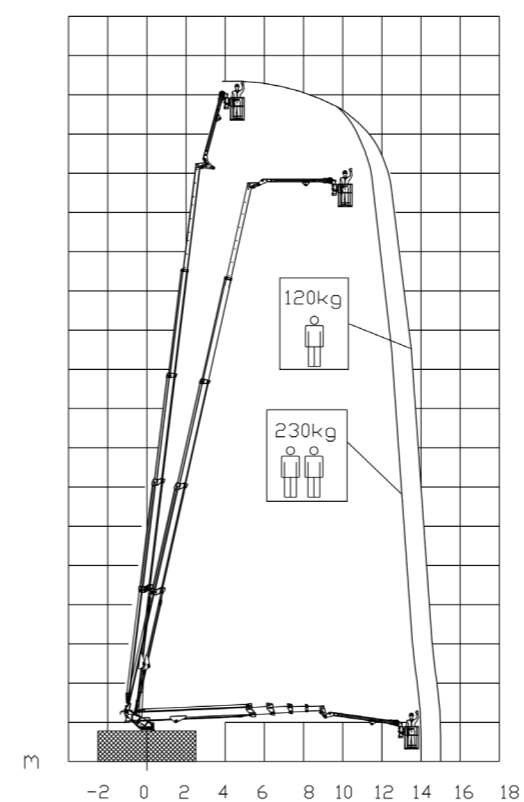




**34,7 m** ↑  
**15 m** →  
**230Kg** 👤👤



|        |        |            |         |         |         |         |         |
|--------|--------|------------|---------|---------|---------|---------|---------|
| 14 m   | 15 m   | 8,5 m      | L1      | L2      | W1      | W2      | W3      |
| 230 kg | 120 kg | 120/230 kg | 5535 mm | 7160 mm | 5260 mm | 3975 mm | 2680 mm |

**BI-ENERGY**  
Diesel+AC



**TSJ 35.1/C** 34,7 m 15 m 230 kg 170° 660° 180x70 cm 90°+80° 2,68-5,26 m 23% 19% 1,8 km/h 7100 kg 47 kN 2,44 kN/m<sup>2</sup> 5,06 kN/m<sup>2</sup>

Available version:

**BI-ENERGY** (DIESEL+AC)  
**ECO** (DC+AC)

Characteristics and technical data are informative only and subjected to change without notice.